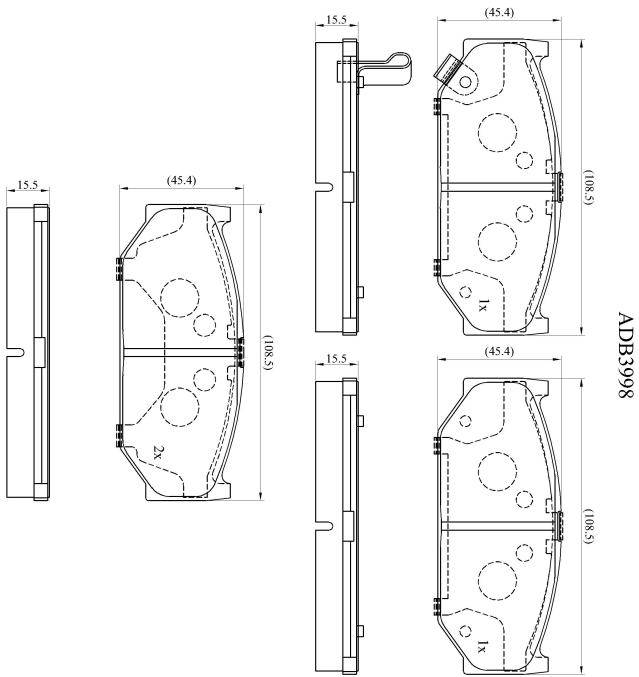


**Make: SUZUKI**

**Model: Swift III**

**Part Number: ADB3998**

**Vehicle Manufacturing/Engine:**



## Specifications

<b>Fitting Position</b>	:	Front
<b>Model Date</b>	:	05/06-
<b>Or. Caliper</b>	:	Jiangxi Wa
<b>WVA</b>	:	23962, 23963
<b>FMSI</b>	:	
<b>Length</b>	:	108.5
<b>Width</b>	:	45.4
<b>Thickness</b>	:	15.5