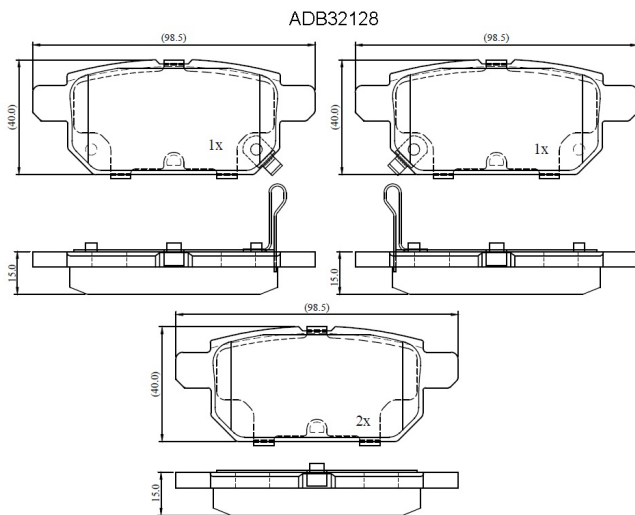


**Make: SUZUKI**

**Model: Swift IV**

**Part Number: ADB32128**

**Vehicle Manufacturing/Engine:**



### Specifications

<b>Fitting Position</b>	:	Rear
<b>Model Date</b>	:	01/12-
<b>Or. Caliper</b>	:	Akebono

<b>WVA</b>	:	25307, 25308
<b>FMSI</b>	:	
<b>Length</b>	:	98.5
<b>Width</b>	:	40
<b>Thickness</b>	:	15