

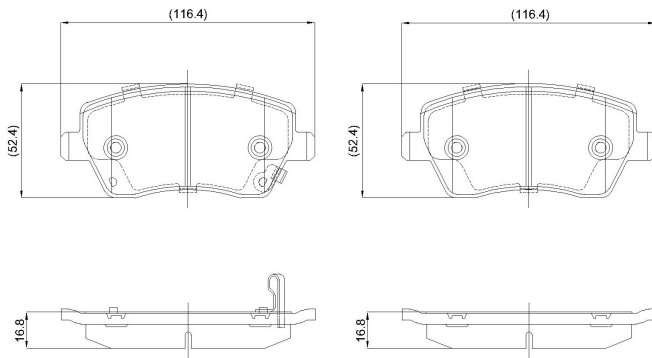
**Make: SUZUKI**

**Model: Swift**

**Part Number: ADB32008**

**Vehicle Manufacturing/Engine:**

ADB32008



## Specifications

<b>Fitting Position</b>	:	Front
<b>Model Date</b>	:	08/2005->
<b>Or. Caliper</b>	:	
<b>WVA</b>	:	23973, 24403

<b>FMSI</b>	:	
<b>Length</b>	:	116.6
<b>Width</b>	:	52.6
<b>Thickness</b>	:	16.8