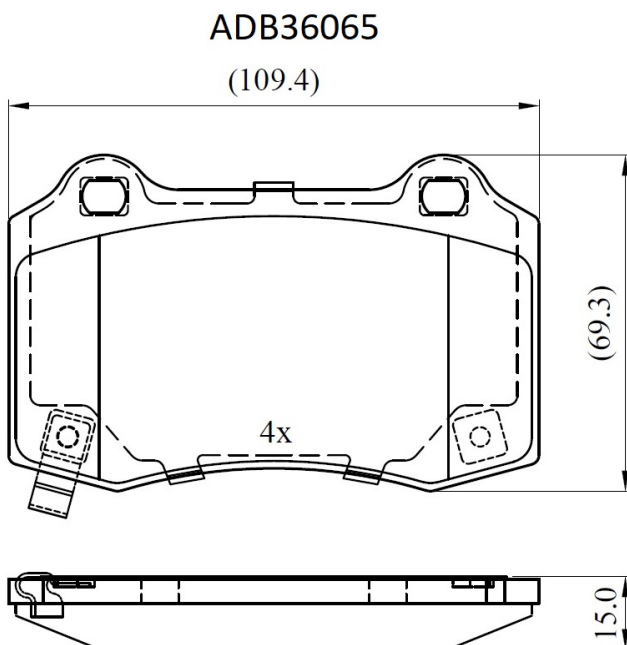


**Make: TESLA**

**Model: ROADSTER**

**Part Number: ADB36065**

**Vehicle Manufacturing/Engine:**



### Specifications

**Fitting Position**

:

Rear

<b>Model Date</b>	:	2008-
<b>Or. Caliper</b>	:	
<b>WVA</b>	:	24076
<b>FMSI</b>	:	
<b>Length</b>	:	109.6
<b>Width</b>	:	69.1
<b>Thickness</b>	:	14.8