

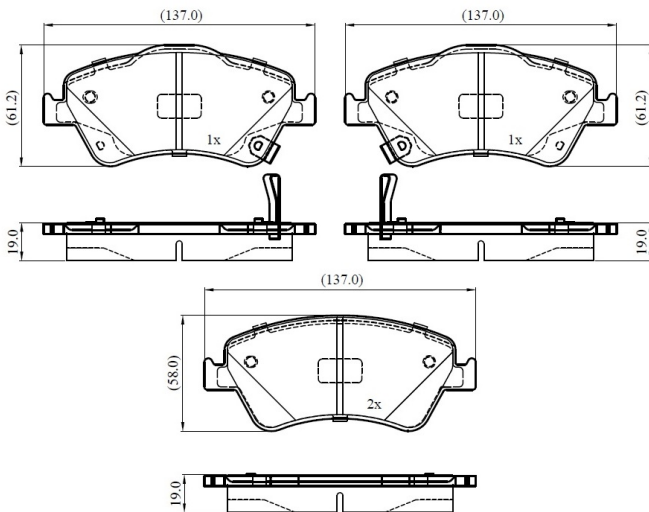
**Make: TOYOTA**

**Model: Auris**

**Part Number: ADB33251**

**Vehicle Manufacturing/Engine:**

**ADB33251**



## Specifications

|                         |   |           |
|-------------------------|---|-----------|
| <b>Fitting Position</b> | : | Front     |
| <b>Model Date</b>       | : | 2010-2012 |

|                    |   |           |
|--------------------|---|-----------|
| <b>Or. Caliper</b> | : |           |
| <b>WVA</b>         | : | 24122     |
| <b>FMSI</b>        | : |           |
| <b>Length</b>      | : | 137       |
| <b>Width</b>       | : | 61.2/58.0 |
| <b>Thickness</b>   | : | 19        |