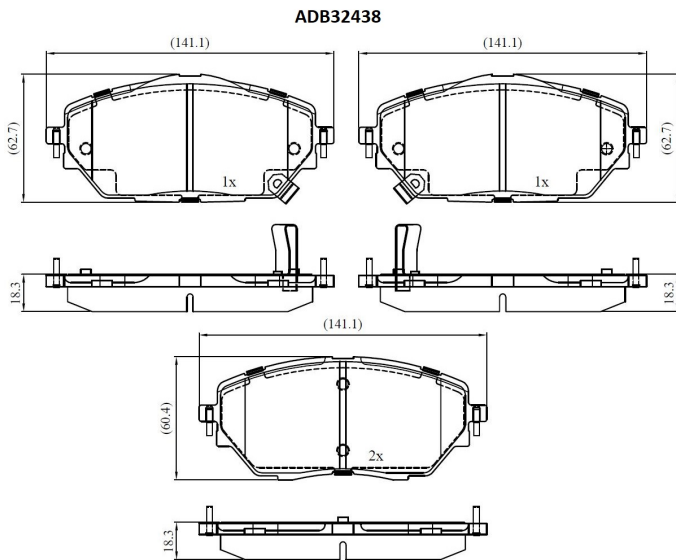


Make: TOYOTA

Model: C-HR

Part Number: ADB32438

Vehicle Manufacturing/Engine:



Specifications

Fitting Position	:	Front
Model Date	:	10/2016-

Or. Caliper	:	
WVA	:	
FMSI	:	
Length	:	141.1
Width	:	60.1/62.9
Thickness	:	18.3