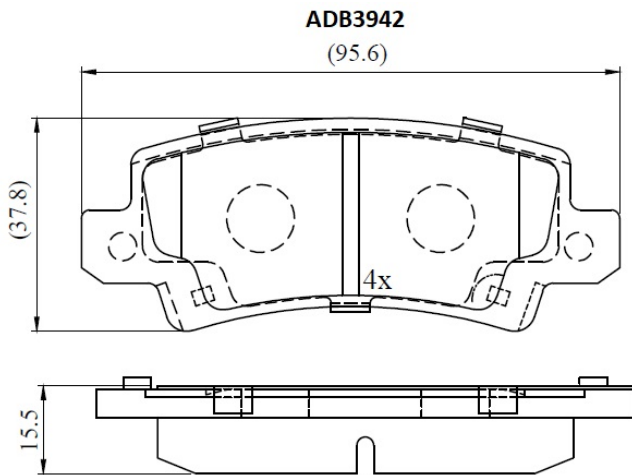


**Make: TOYOTA**

**Model: Corolla (02-->)**

**Part Number: ADB3942**

**Vehicle Manufacturing/Engine:**



### Specifications

<b>Fitting Position</b>	:	Rear
<b>Model Date</b>	:	01/02-->
<b>Or. Caliper</b>	:	Lucas

<b>WVA</b>	:	23816
<b>FMSI</b>	:	
<b>Length</b>	:	95.6
<b>Width</b>	:	37.8
<b>Thickness</b>	:	15.5