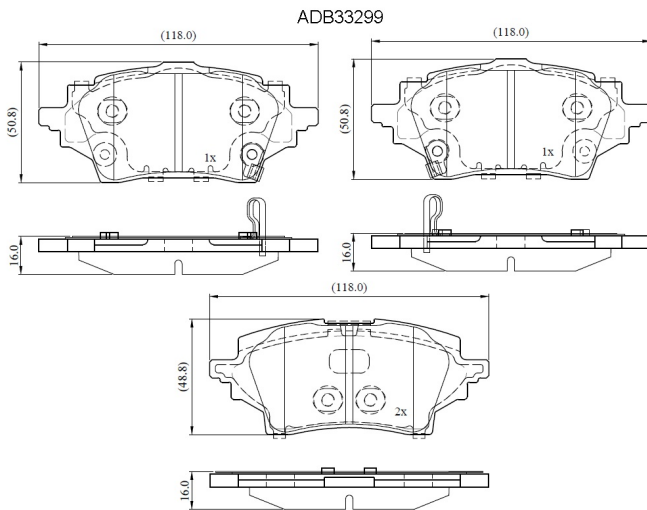


**Make: TOYOTA**

**Model: COROLLA Estate**

**Part Number: ADB33299**

**Vehicle Manufacturing/Engine:**



### Specifications

|                         |   |       |
|-------------------------|---|-------|
| <b>Fitting Position</b> | : | Rear  |
| <b>Model Date</b>       | : | 2019- |
| <b>Or. Caliper</b>      | : |       |

|                  |   |                       |
|------------------|---|-----------------------|
| <b>WVA</b>       | : | 26,15,32,61,54,26,155 |
| <b>FMSI</b>      | : |                       |
| <b>Length</b>    | : | 118                   |
| <b>Width</b>     | : | 50.8                  |
| <b>Thickness</b> | : | 15                    |