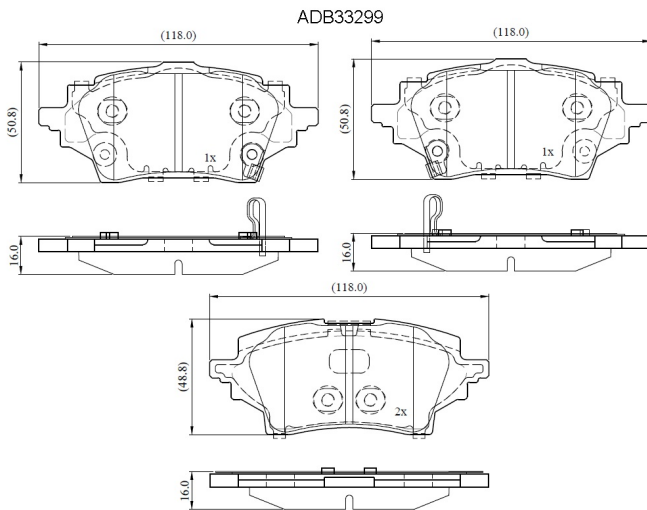


**Make: TOYOTA**

**Model: COROLLA Estate**

**Part Number: ADB33299**

**Vehicle Manufacturing/Engine:**



## Specifications

<b>Fitting Position</b>	:	Rear
<b>Model Date</b>	:	2019-
<b>Or. Caliper</b>	:	

<b>WVA</b>	:	26,15,32,61,54,26,155
<b>FMSI</b>	:	
<b>Length</b>	:	118
<b>Width</b>	:	50.8
<b>Thickness</b>	:	15