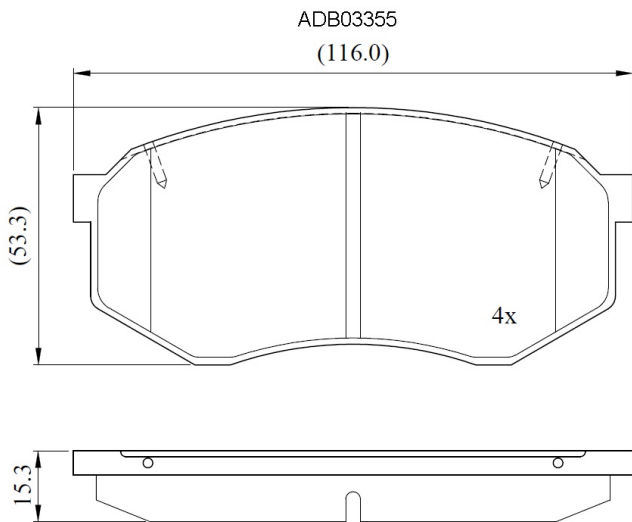


**Make: TOYOTA**

**Model: Cressida**

**Part Number: ADB03355**

**Vehicle Manufacturing/Engine:**



### Specifications

<b>Fitting Position</b>	:	Front
<b>Model Date</b>	:	89-
<b>Or. Caliper</b>	:	

<b>WVA</b>	:	
<b>FMSI</b>	:	7320-D433
<b>Length</b>	:	116
<b>Width</b>	:	53.3
<b>Thickness</b>	:	15.3