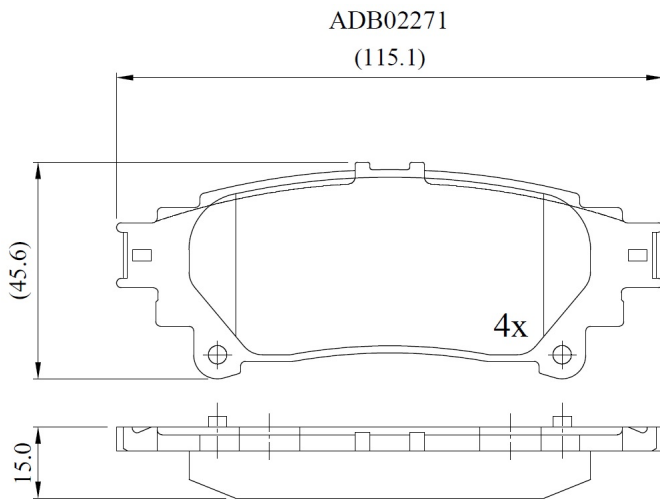


**Make: TOYOTA**

**Model: HIGHLANDER, SIENNA**

**Part Number: ADB02271**

**Vehicle Manufacturing/Engine:**



### Specifications

<b>Fitting Position</b>	:	Rear
<b>Model Date</b>	:	01/12->
<b>Or. Caliper</b>	:	
<b>WVA</b>	:	24918

<b>FMSI</b>	:	
<b>Length</b>	:	115
<b>Width</b>	:	45.6
<b>Thickness</b>	:	15