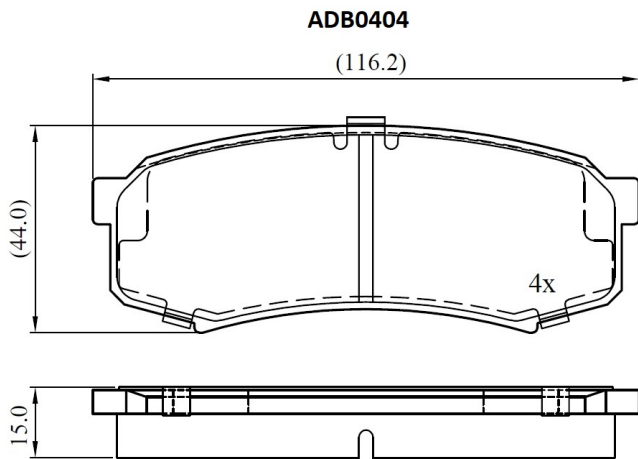


**Make: TOYOTA**

**Model: Landcruiser ->96**

**Part Number: ADB0404**

**Vehicle Manufacturing/Engine:**



### Specifications

<b>Fitting Position</b>	:	Front
<b>Model Date</b>	:	01/90-04/96
<b>Or. Caliper</b>	:	Sumitomo
<b>WVA</b>	:	21947

<b>FMSI</b>	:	
<b>Length</b>	:	116.2
<b>Width</b>	:	44
<b>Thickness</b>	:	15