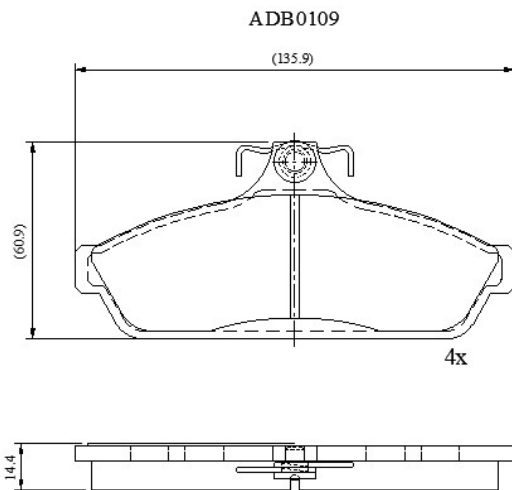


**Make: TOYOTA**

**Model: Lexcen Range**

**Part Number: ADB0109**

**Vehicle Manufacturing/Engine:**



## Specifications

<b>Fitting Position</b>	:	Front
<b>Model Date</b>	:	11/91->

<b>Or. Caliper</b>	:	
<b>WVA</b>	:	
<b>FMSI</b>	:	
<b>Length</b>	:	135.9
<b>Width</b>	:	60.9
<b>Thickness</b>	:	14.4