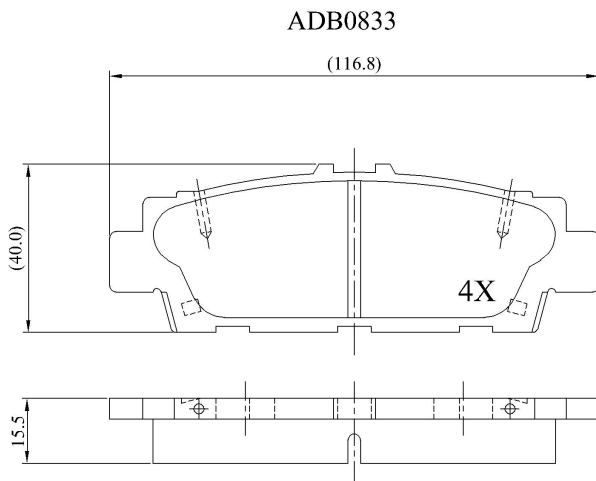


**Make: TOYOTA**

**Model: Lexus**

**Part Number: ADB0833**

**Vehicle Manufacturing/Engine:**



### Specifications

<b>Fitting Position</b>	:	Rear
<b>Model Date</b>	:	09/91-12/97
<b>Or. Caliper</b>	:	Sumitomo

<b>WVA</b>	:	21790
<b>FMSI</b>	:	
<b>Length</b>	:	116.8
<b>Width</b>	:	40
<b>Thickness</b>	:	15.5