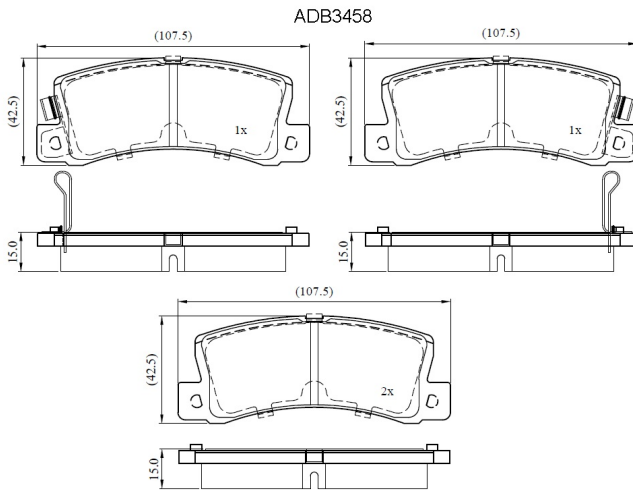


**Make: TOYOTA**

**Model: Lexus**

**Part Number: ADB3458**

**Vehicle Manufacturing/Engine:**



## Specifications

<b>Fitting Position</b>	:	Rear
<b>Model Date</b>	:	10/00->
<b>Or. Caliper</b>	:	Akebono

<b>WVA</b>	:	
<b>FMSI</b>	:	
<b>Length</b>	:	107.5
<b>Width</b>	:	42.5
<b>Thickness</b>	:	15