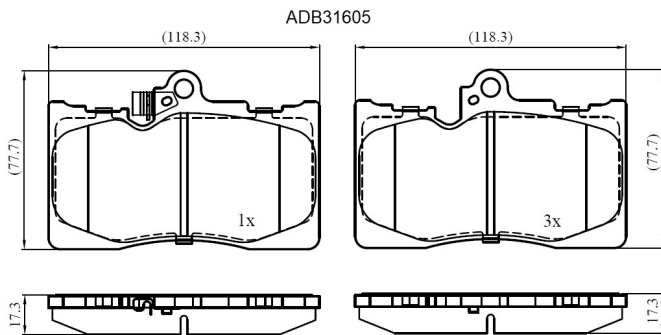


Make: TOYOTA

Model: Lexus

Part Number: ADB31605

Vehicle Manufacturing/Engine:



Specifications

| | | |
|-------------------------|---|----------------|
| Fitting Position | : | Front |
| Model Date | : | 05--> |
| Or. Caliper | : | |
| WVA | : | 2,03,25,24,396 |
| FMSI | : | |
| Length | : | 118.3 |

| | | |
|------------------|---|------|
| Width | : | 77.7 |
| Thickness | : | 17.3 |