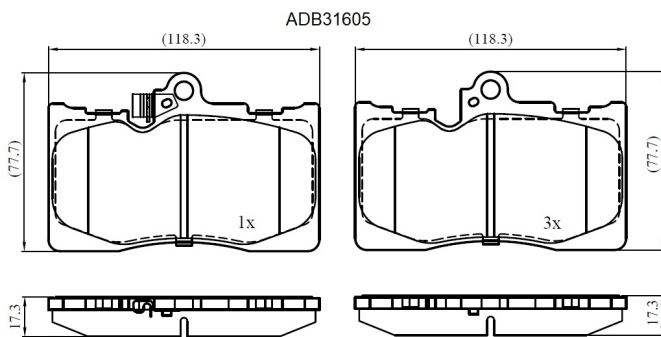


**Make: TOYOTA**

**Model: Lexus**

**Part Number: ADB31605**

**Vehicle Manufacturing/Engine:**



### Specifications

<b>Fitting Position</b>	:	Front
<b>Model Date</b>	:	05-->
<b>Or. Caliper</b>	:	
<b>WVA</b>	:	
<b>FMSI</b>	:	
<b>Length</b>	:	118.3

<b>Width</b>	:	77.7
<b>Thickness</b>	:	17.3