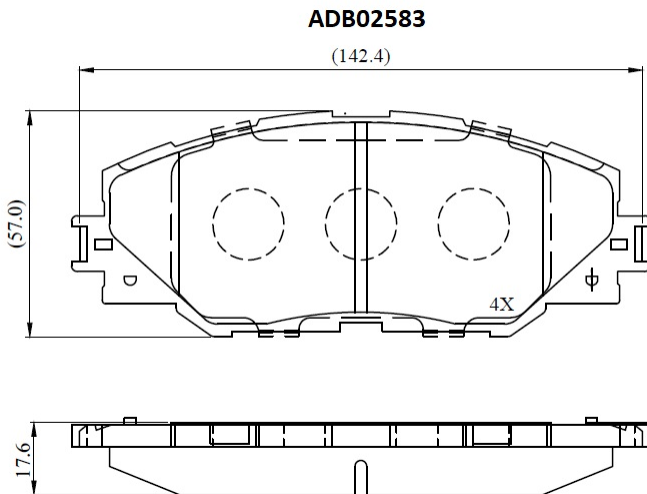


**Make: TOYOTA**

**Model: MATRIX**

**Part Number: ADB02583**

**Vehicle Manufacturing/Engine:**



### Specifications

<b>Fitting Position</b>	:	Front
<b>Model Date</b>	:	10-Dec
<b>Or. Caliper</b>	:	

<b>WVA</b>	:	
<b>FMSI</b>	:	D1211
<b>Length</b>	:	146.5
<b>Width</b>	:	57.1
<b>Thickness</b>	:	17.4