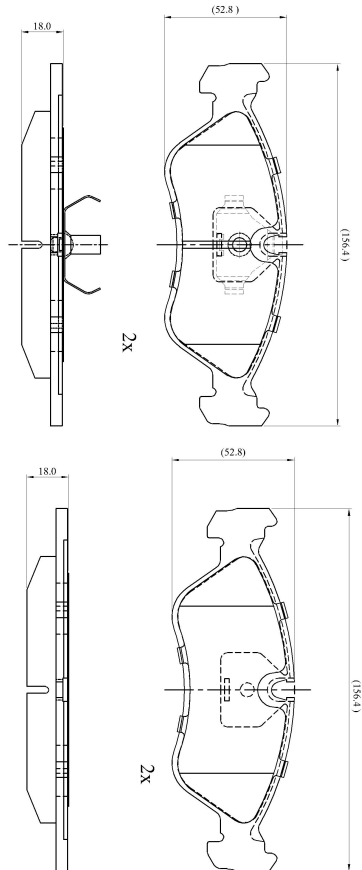


Make: VAUXHALL

Model: Calibra

Part Number: ADB0150

Vehicle Manufacturing/Engine:



ADB0150

Specifications

Fitting Position	:	Front
Model Date	:	01/90-08/94
Or. Caliper	:	Ate
WVA	:	21190
FMSI	:	
Length	:	156.4
Width	:	52.8
Thickness	:	18