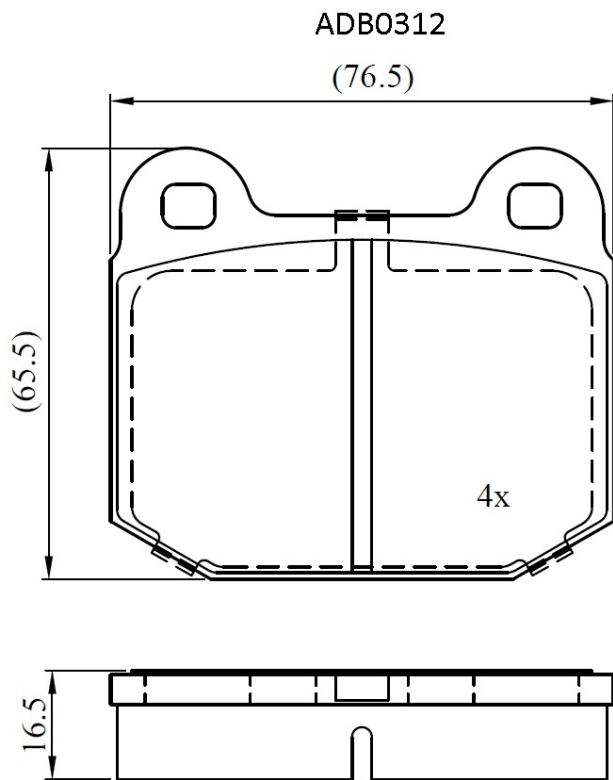


**Make: VAUXHALL**

**Model: Carlton**

**Part Number: ADB0312**

**Vehicle Manufacturing/Engine:**



## Specifications

<b>Fitting Position</b>	:	Front
<b>Model Date</b>	:	01/82-11/86
<b>Or. Caliper</b>	:	Ate
<b>WVA</b>	:	20323
<b>FMSI</b>	:	
<b>Length</b>	:	76.5
<b>Width</b>	:	65.5
<b>Thickness</b>	:	16.5