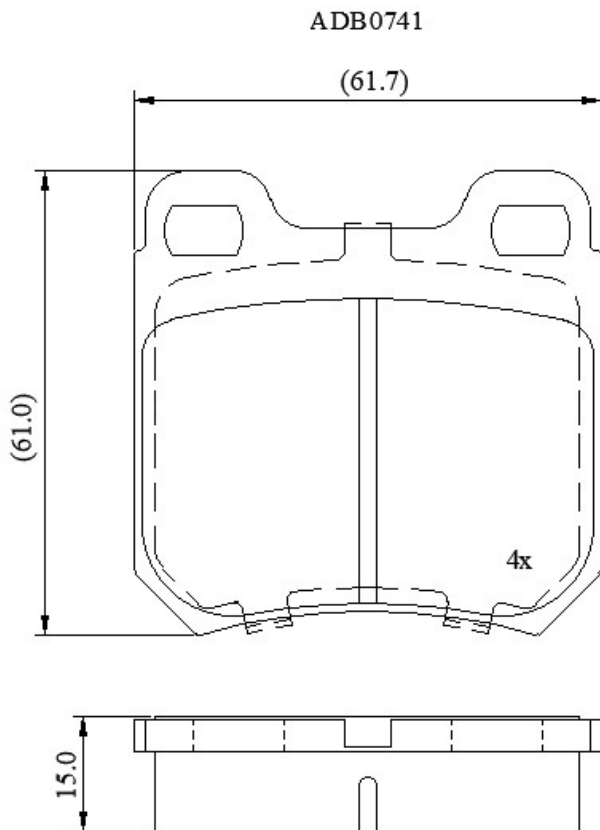


Make: VAUXHALL

Model: Carlton

Part Number: ADB0741

Vehicle Manufacturing/Engine:



Specifications

Fitting Position

:

Rear

Model Date	:	09/90-04/94
Or. Caliper	:	Ate
WVA	:	21050
FMSI	:	
Length	:	61.7
Width	:	61
Thickness	:	15