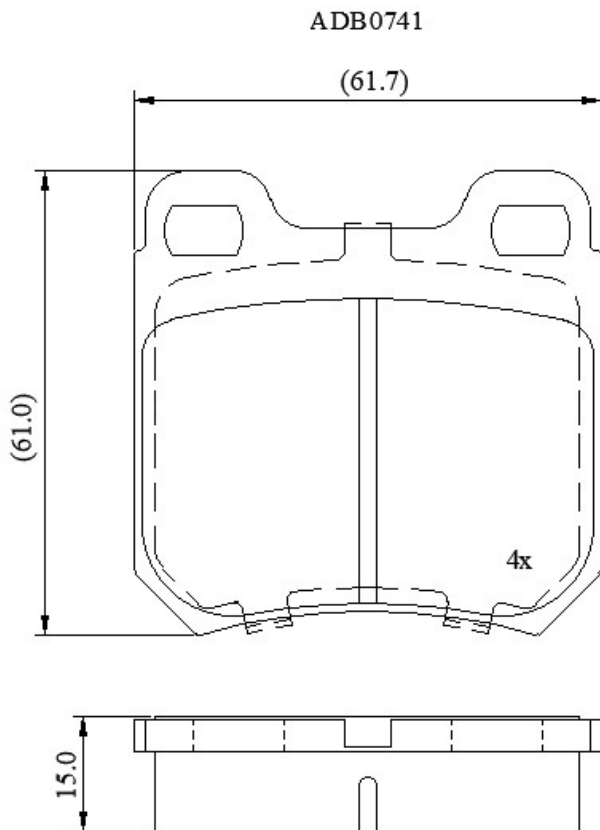


**Make: VAUXHALL**

**Model: Carlton**

**Part Number: ADB0741**

**Vehicle Manufacturing/Engine:**



## Specifications

**Fitting Position**

:

Rear

<b>Model Date</b>	:	01/87-04/94
<b>Or. Caliper</b>	:	Ate
<b>WVA</b>	:	21050
<b>FMSI</b>	:	
<b>Length</b>	:	61.7
<b>Width</b>	:	61
<b>Thickness</b>	:	15