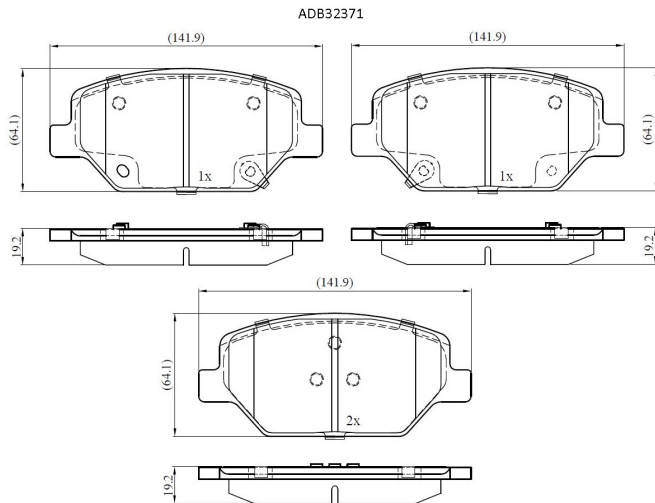


**Make: VAUXHALL**

**Model: INSIGNIA Mk II (B) Country Tourer**

**Part Number: ADB32371**

**Vehicle Manufacturing/Engine:**



### Specifications

<b>Fitting Position</b>	:	Front
<b>Model Date</b>	:	3/2017 >
<b>Or. Caliper</b>	:	

<b>WVA</b>	:	22,83,82,28,39,22,840
<b>FMSI</b>	:	
<b>Length</b>	:	141.9
<b>Width</b>	:	64.1
<b>Thickness</b>	:	19.2