

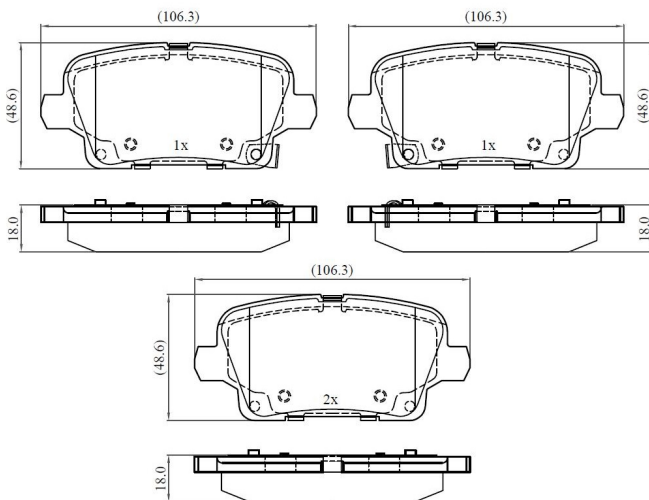
Make: VAUXHALL

Model: Insignia MK II

Part Number: ADB32384

Vehicle Manufacturing/Engine:

ADB32384



Specifications

Fitting Position	:	Rear
Model Date	:	03/2017-

Or. Caliper	:	
WVA	:	
FMSI	:	
Length	:	106.3
Width	:	48.6
Thickness	:	18