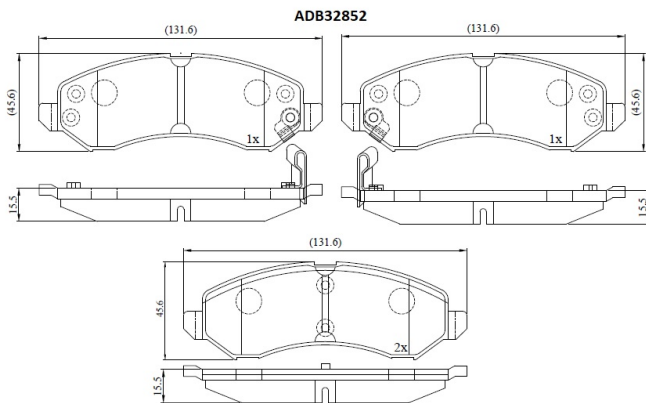


**Make: VAUXHALL**

**Model: MERIVA Mk II**

**Part Number: ADB32852**

**Vehicle Manufacturing/Engine:**



## Specifications

|                         |   |       |
|-------------------------|---|-------|
| <b>Fitting Position</b> | : | Rear  |
| <b>Model Date</b>       | : | 2010- |
| <b>Or. Caliper</b>      | : |       |
| <b>WVA</b>              | : | 23417 |
| <b>FMSI</b>             | : |       |

|                  |   |
|------------------|---|
| <b>Length</b>    | : |
| <b>Width</b>     | : |
| <b>Thickness</b> | : |