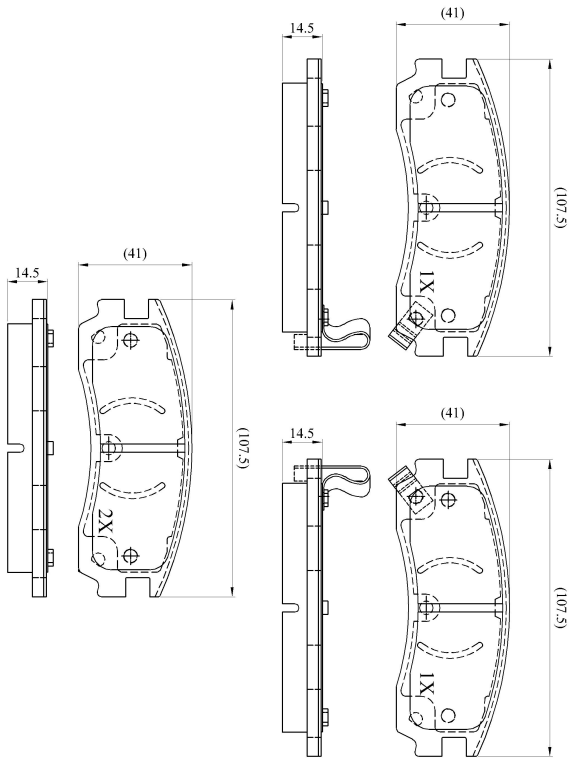


Make: VAUXHALL

Model: Sintra

Part Number: ADB3782

Vehicle Manufacturing/Engine:



ADB3782

Specifications

Fitting Position	:	Rear
Model Date	:	01/97-05/99
Or. Caliper	:	Akebono
WVA	:	23,36,12,33,62,23,363
FMSI	:	
Length	:	107.5
Width	:	41
Thickness	:	14.5