

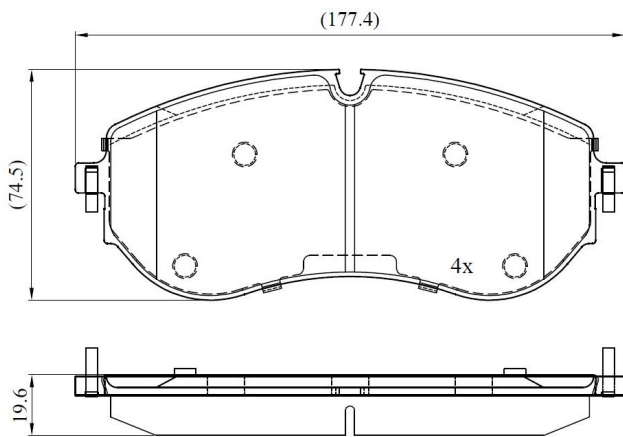
**Make: VOLKSWAGEN**

**Model: CRAFTER Van**

**Part Number: ADB02528**

**Vehicle Manufacturing/Engine:**

**ADB02528**



### Specifications

<b>Fitting Position</b>	:	Front
<b>Model Date</b>	:	2017-
<b>Or. Caliper</b>	:	

<b>WVA</b>	:	22493
<b>FMSI</b>	:	
<b>Length</b>	:	177.4
<b>Width</b>	:	74.5
<b>Thickness</b>	:	19.6